

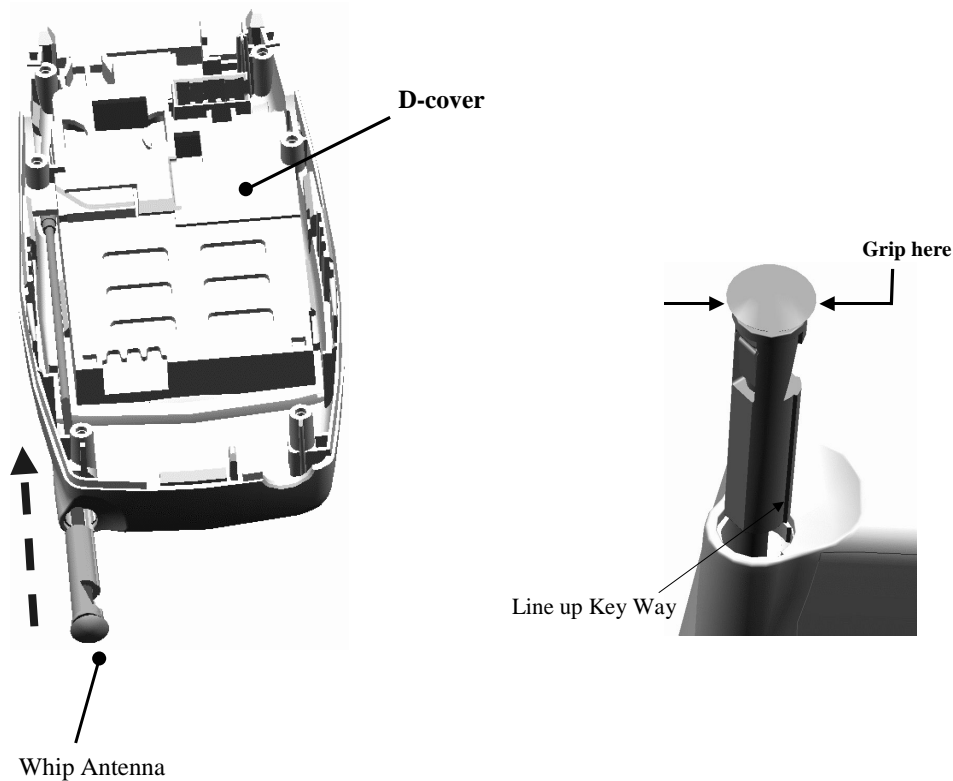
CCS Technical Documentation

RH-3 Series Transceivers

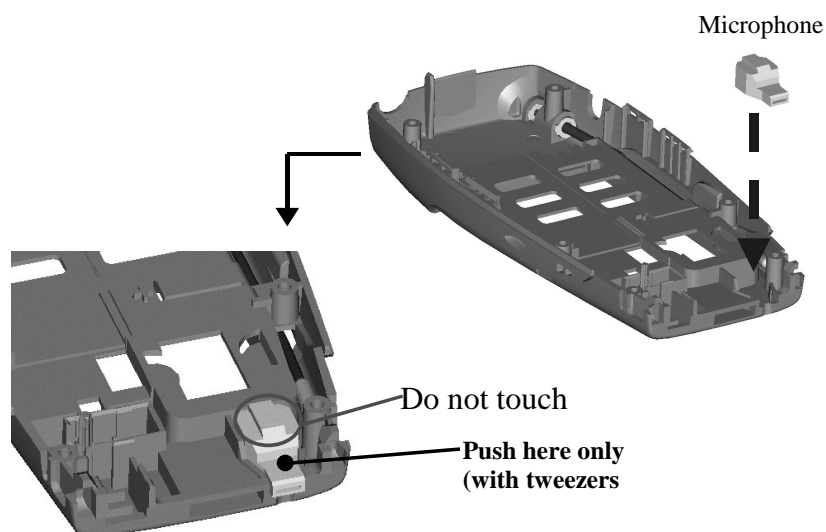
Assembly

Assembly Instructions

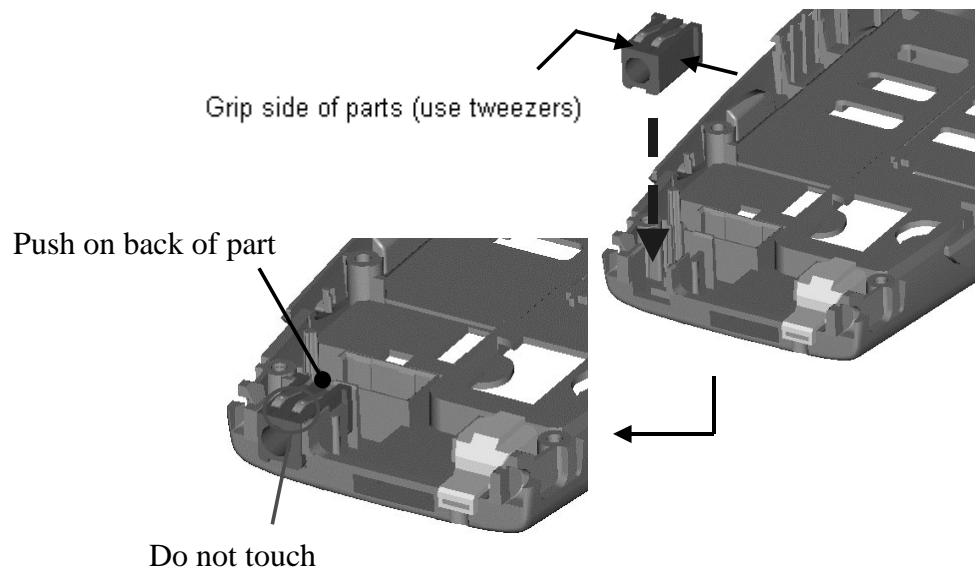
1. D-cover Subassembly.



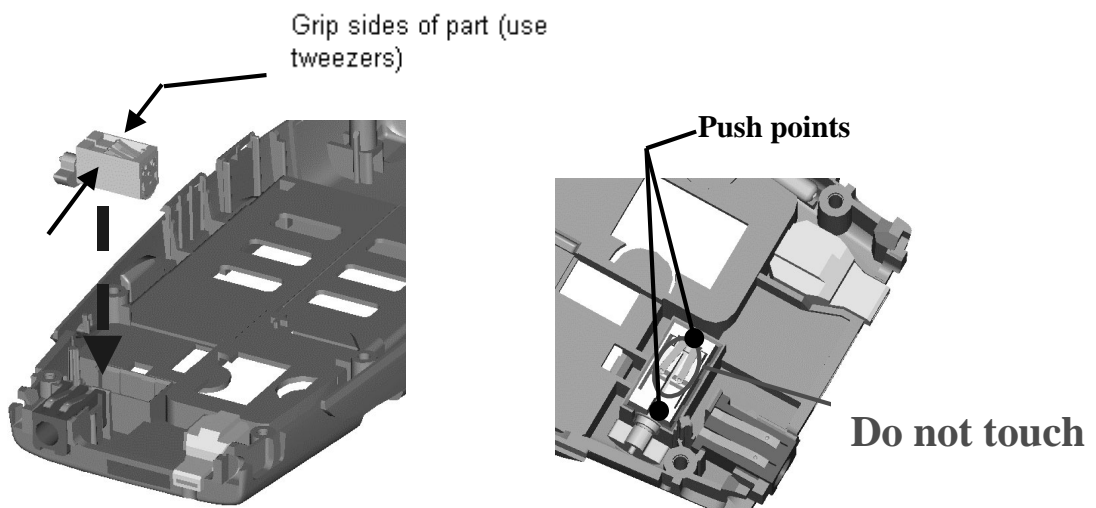
a.) Microphone Assembly



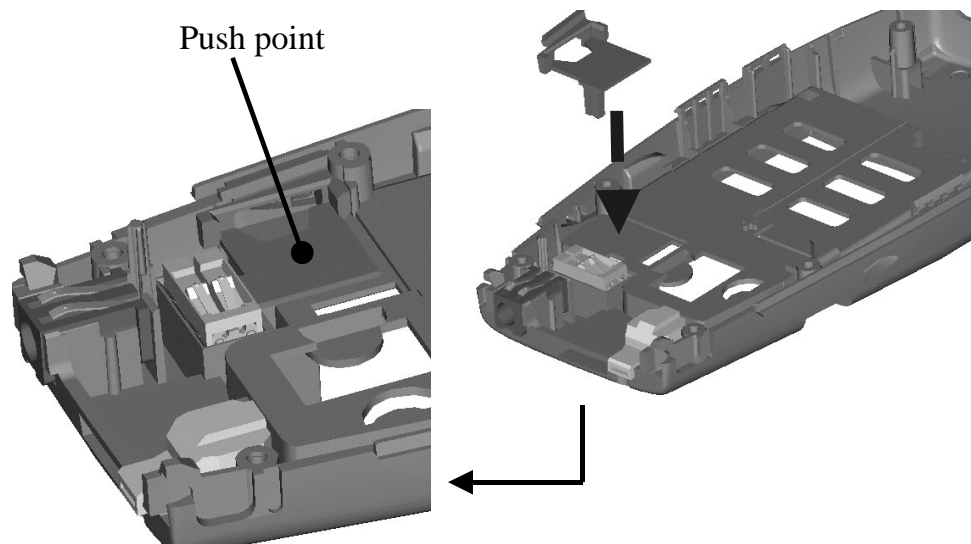
b.) DC Jack



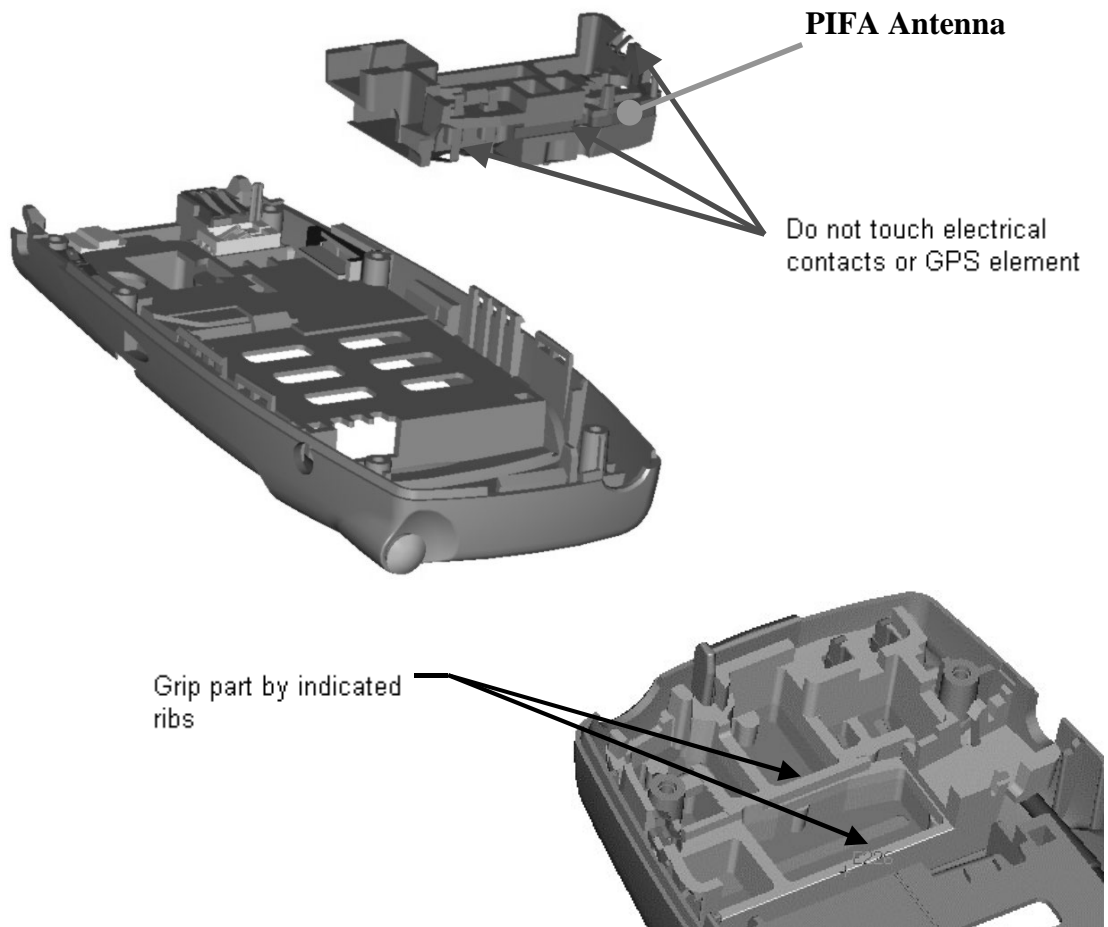
c.) Vibra Motor



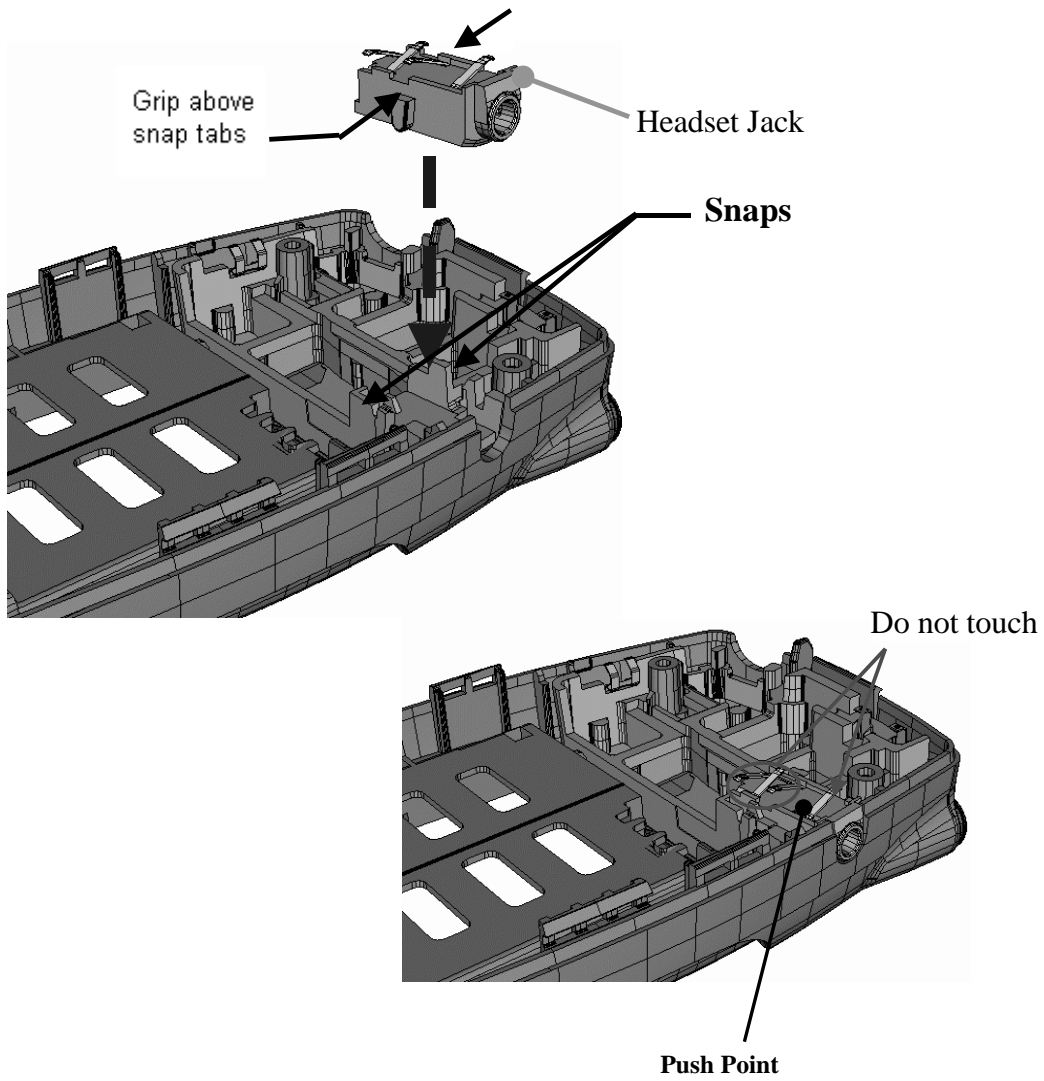
d.) Buzzer Gasket



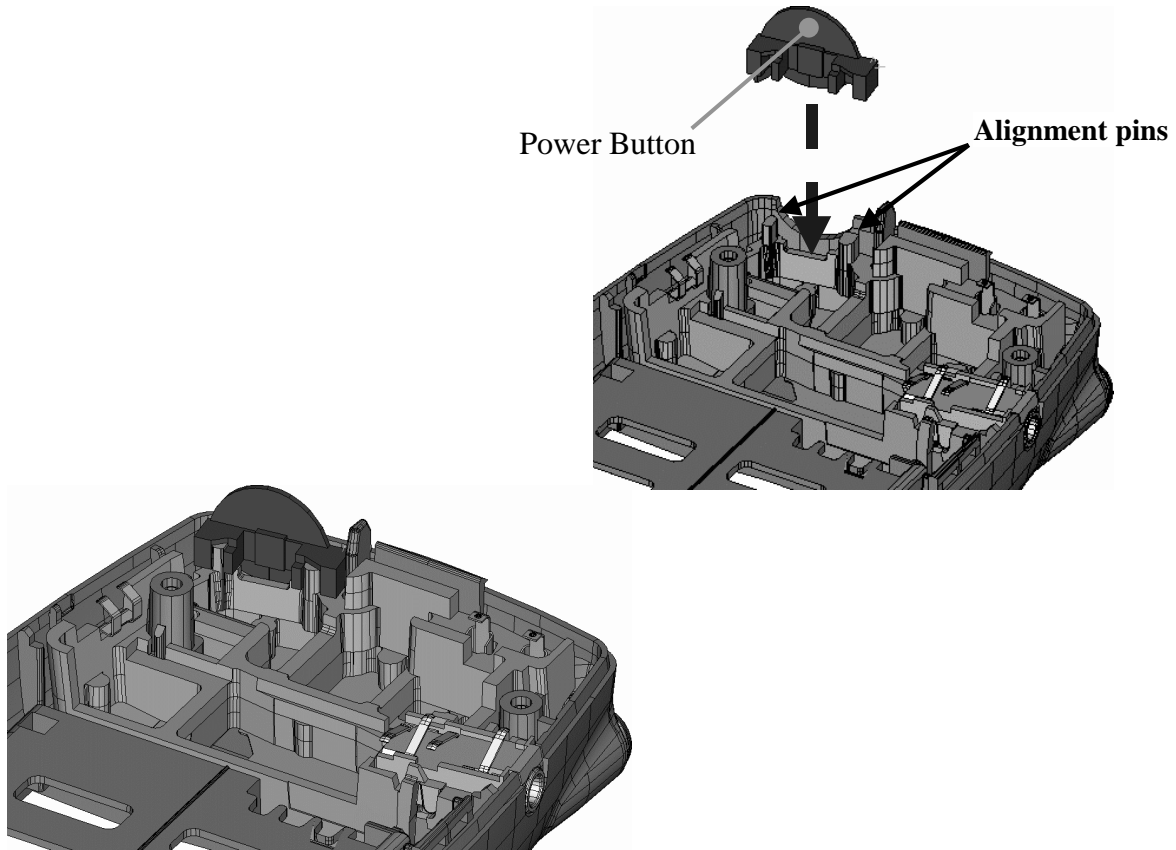
2. Antenna Assembly



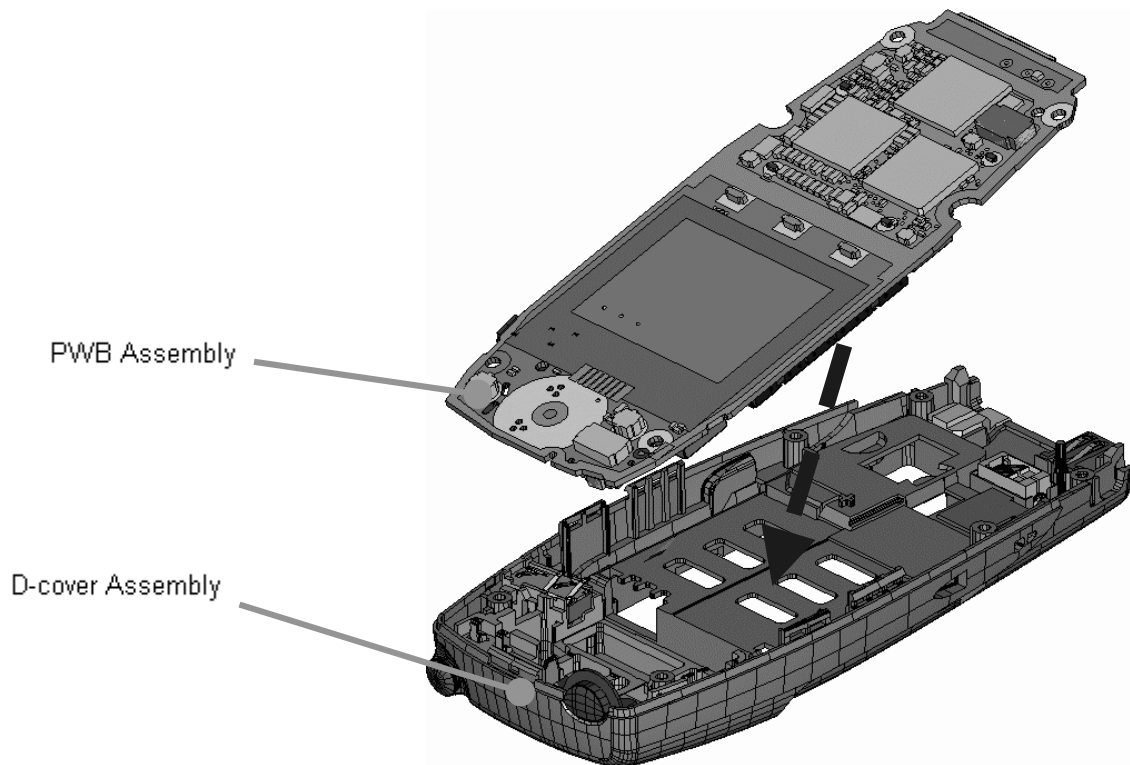
3. Headset Jack

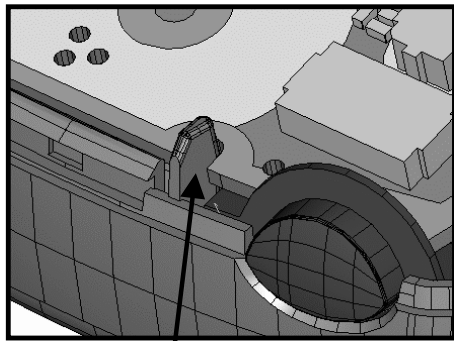


4. Power Button

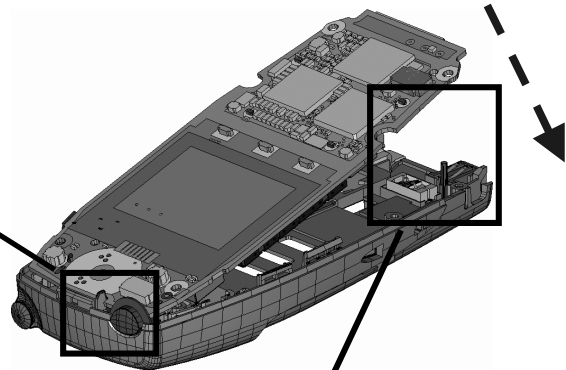


5. PWB Assembly

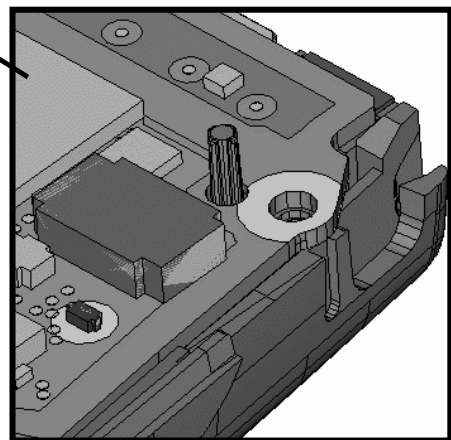
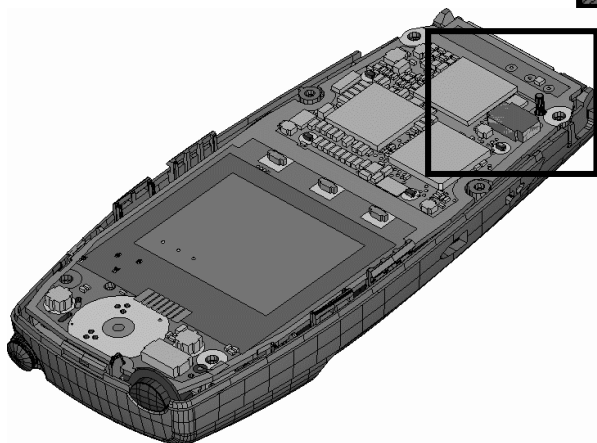
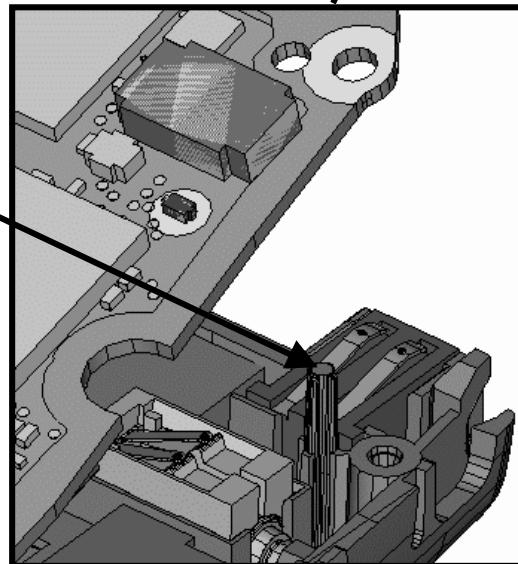




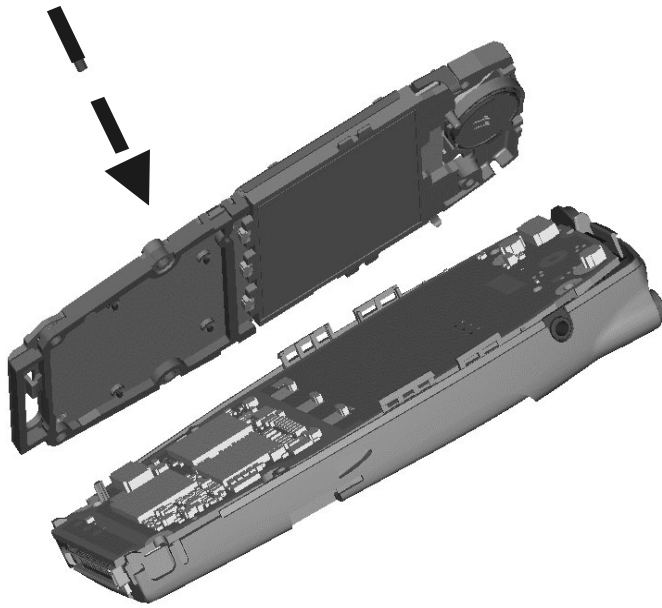
Upper Guide pin



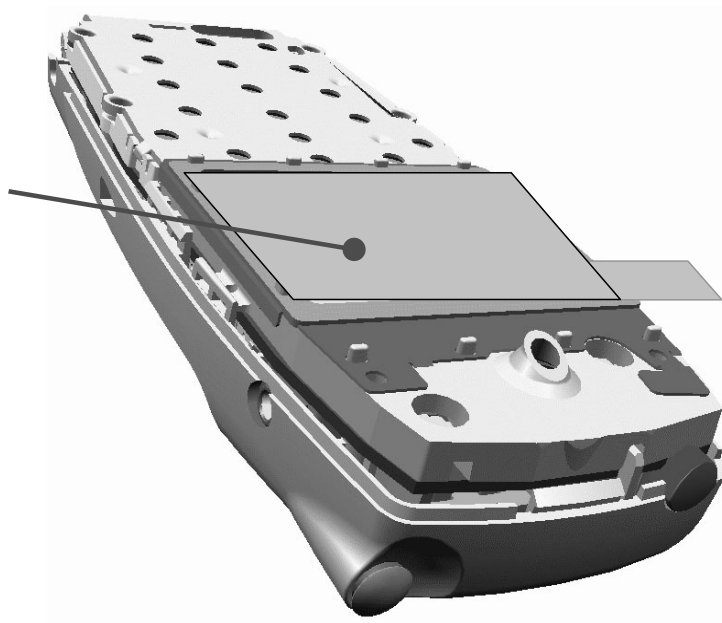
Lower Guide pin



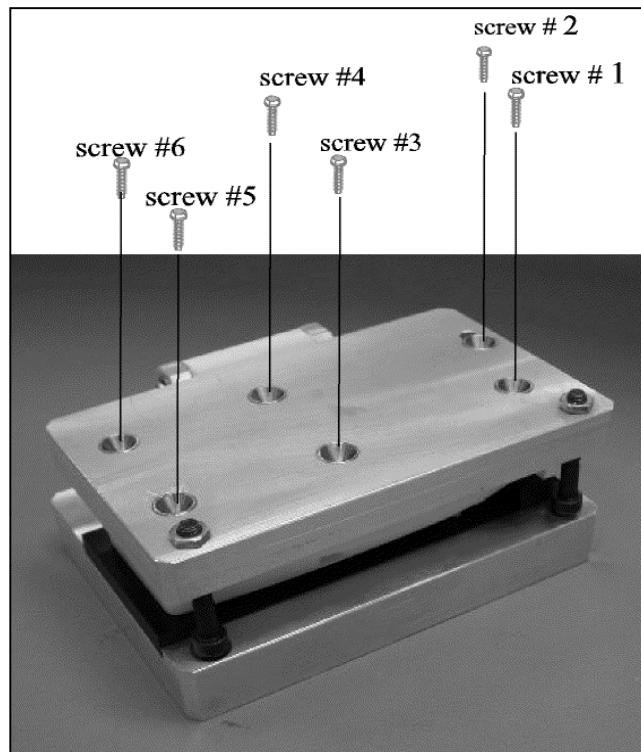
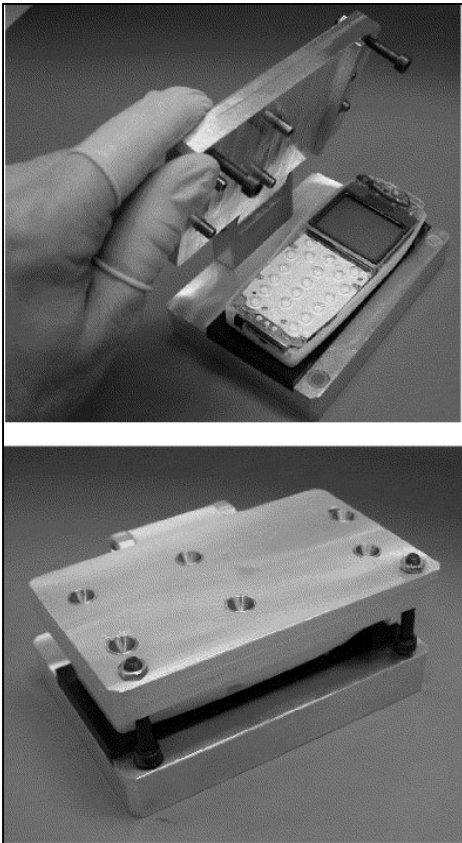
6. Display Assembly



No pressing on LCD
display glass

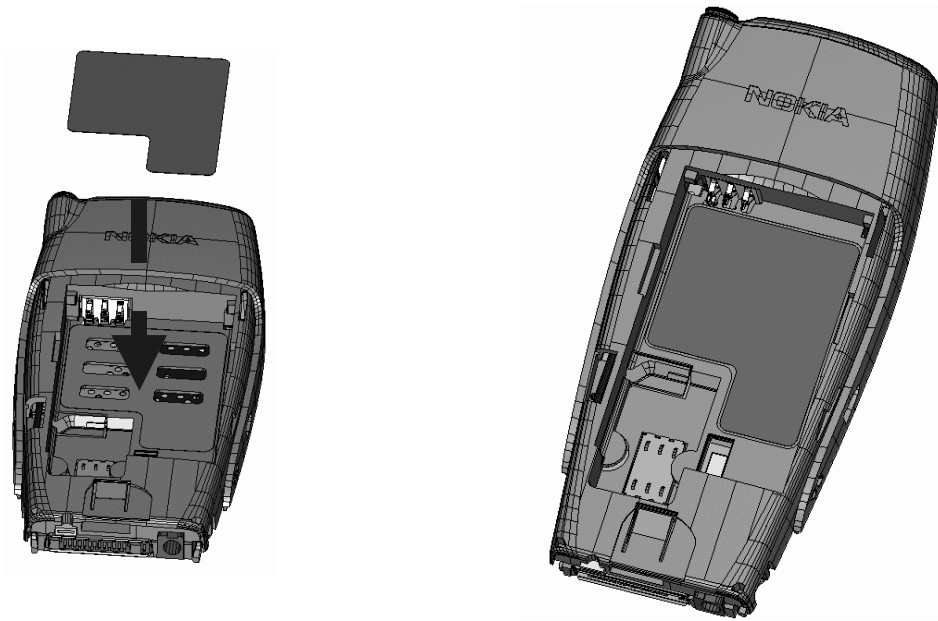


7. Screw Assembly

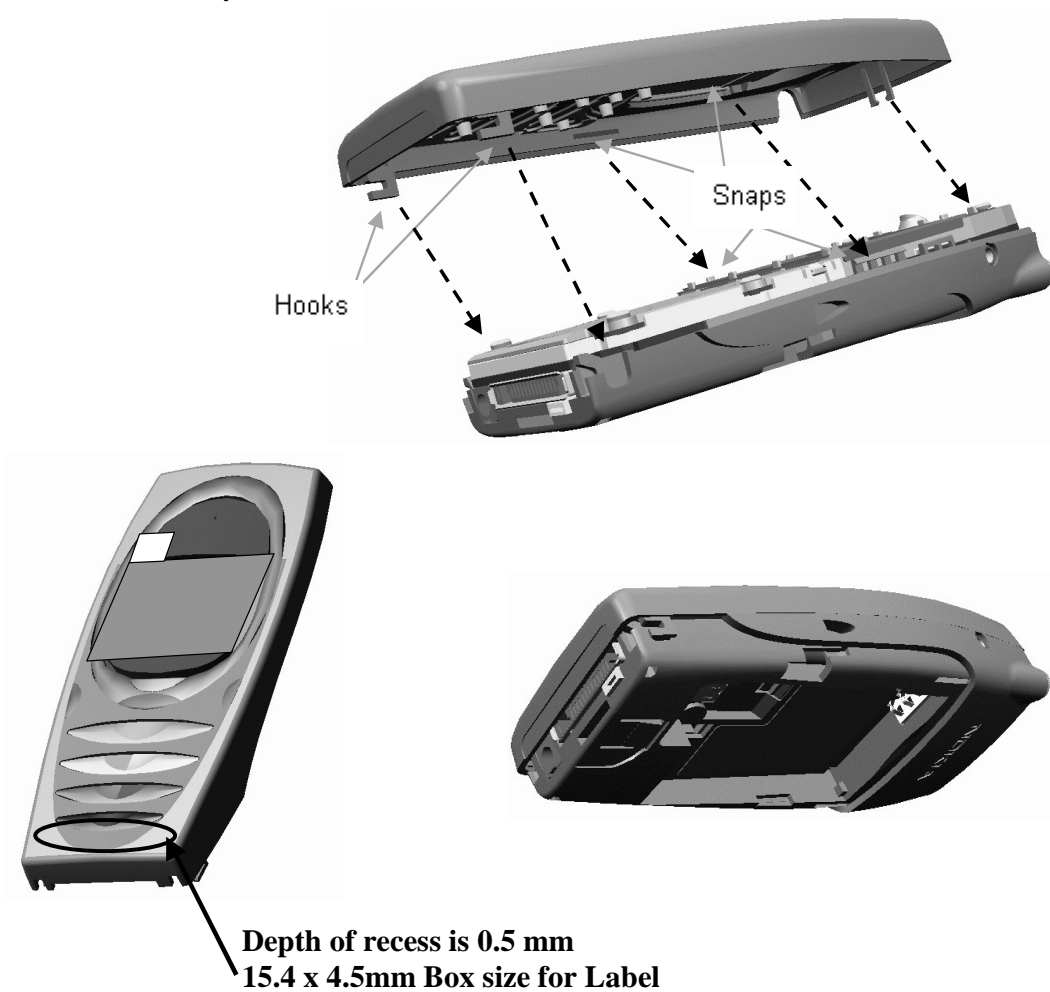


- Mount screws in order indicated above.
- Note: Use 20 N-cm (300 RPM max).
- Ensure that the Display Assembly (Step 6) has been properly mounted prior to mounting the screws.

8. Type Label



9. A-Cover Assembly



10. B-Cover Assembly

